



NBL 100

Model with the locking system and the reed magnet



NBL 150

Model with locking system



NBL 200

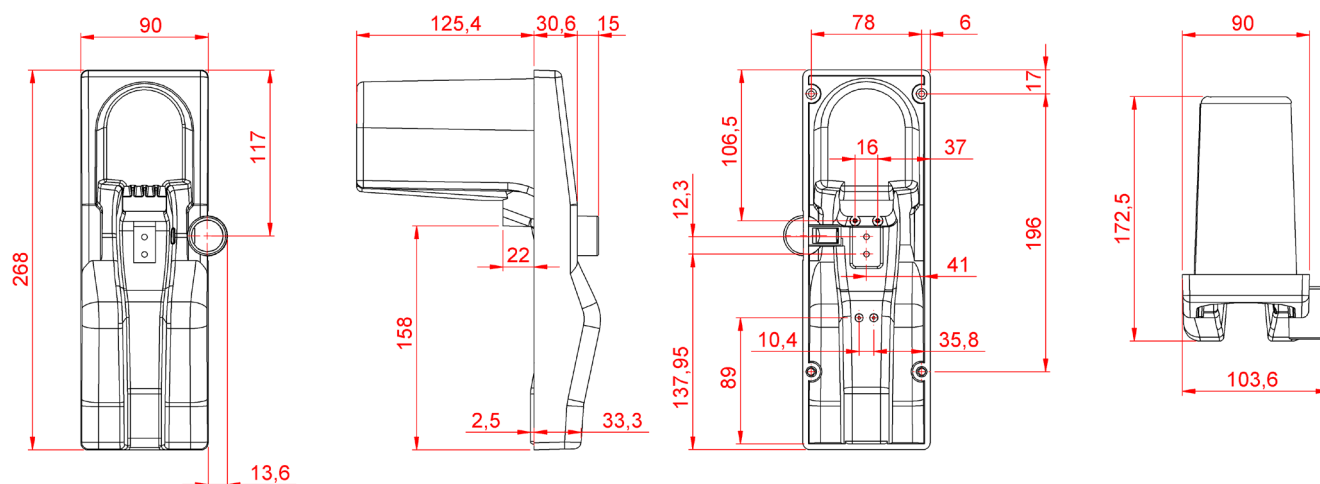
Model with reed magnet



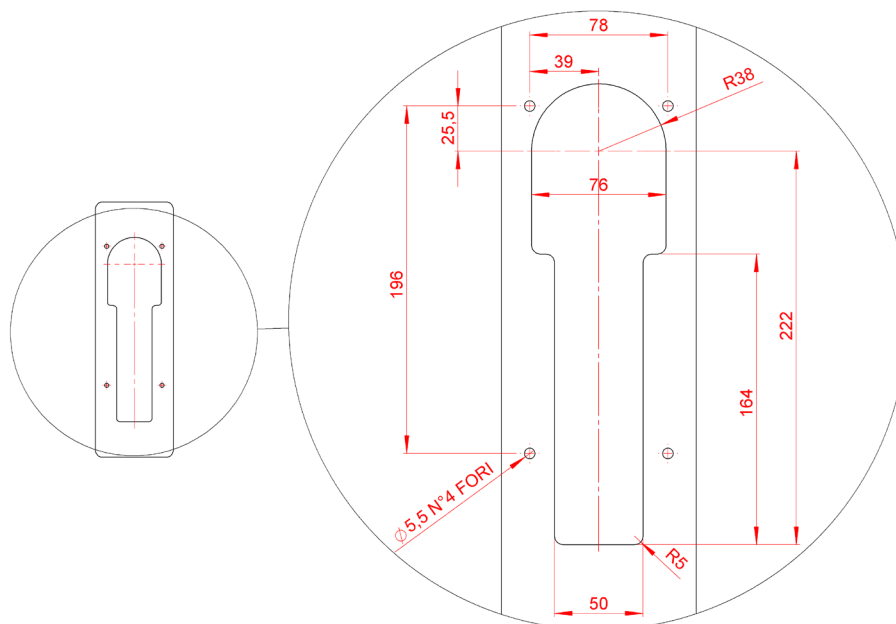
NBL 250

Basic model

DIMENSIONS

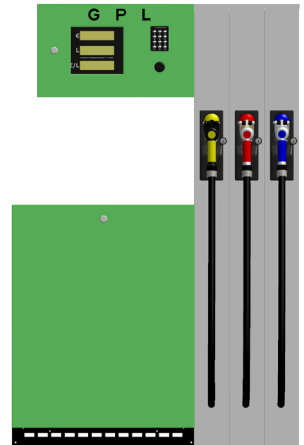


HOW TO MOUNTING IT ON THE DISPENSER





LPG
GROUP



NBL Series



Nozzle Boot

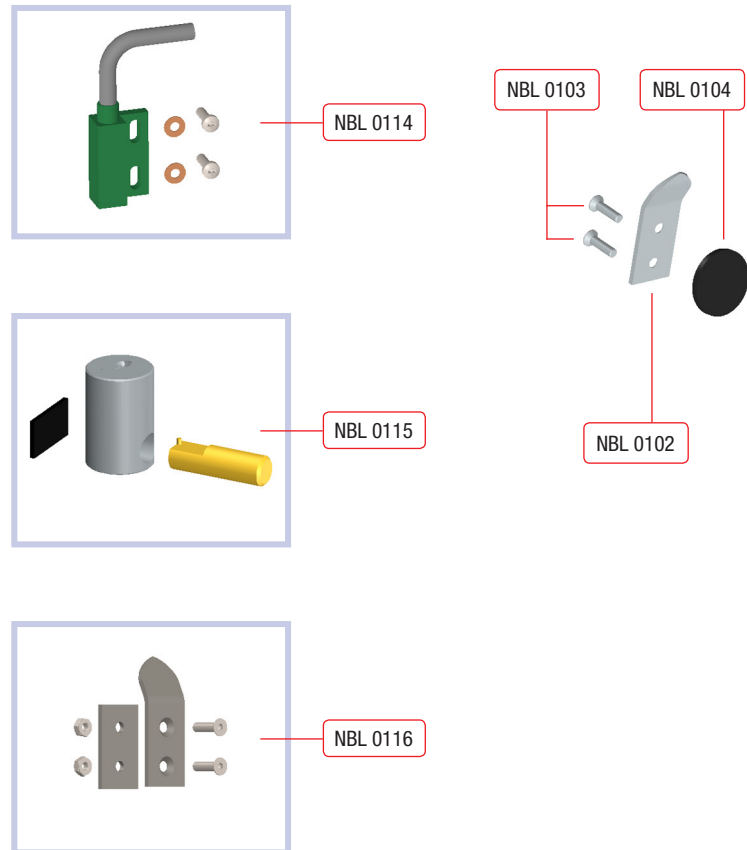
Compatibility: it must be used with nozzle prepared with “HS” lever.

Materials: it is realized with plastic material and it ensure a perfect durability.

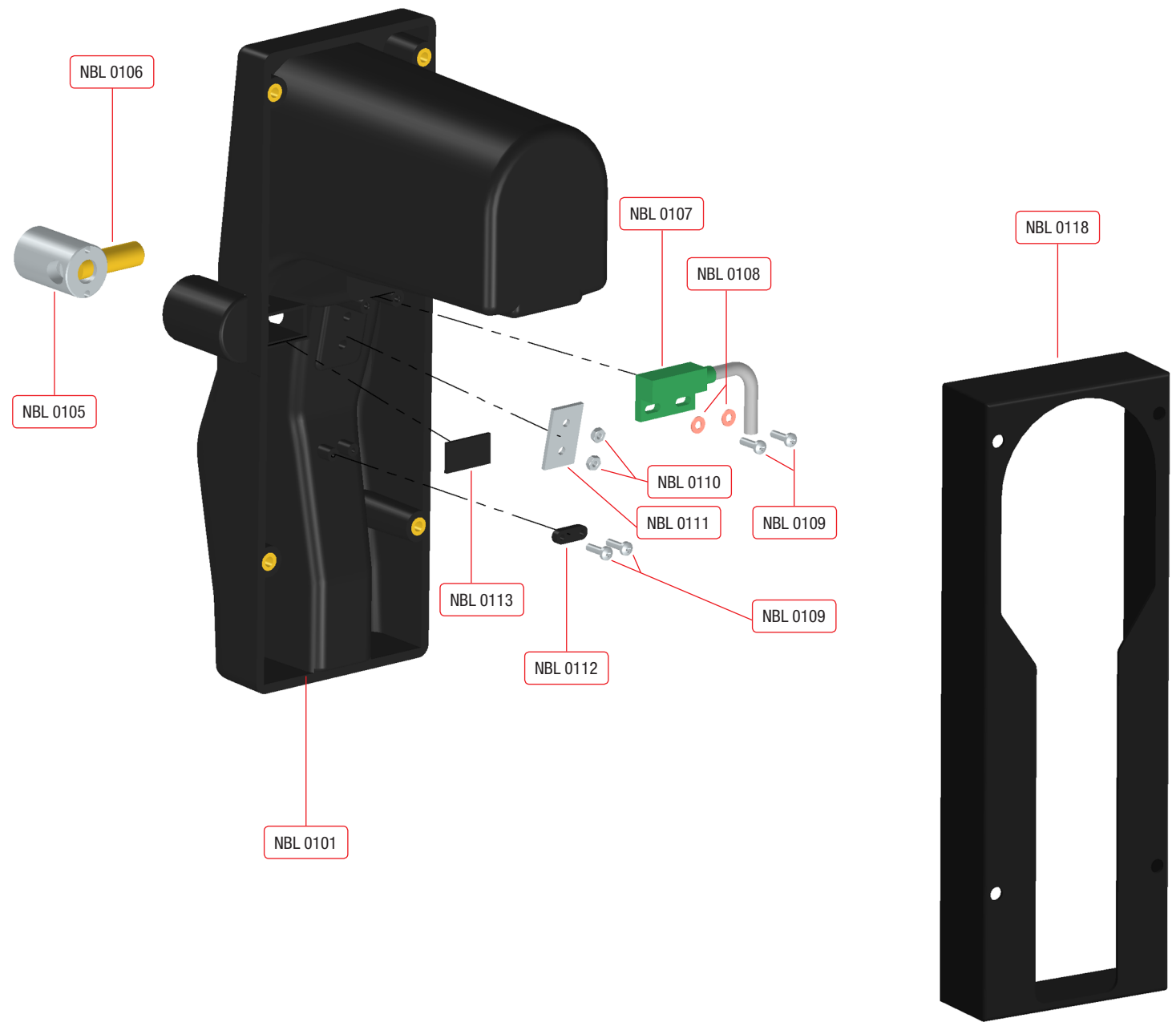
Modelli: 4 versions.

Basic version; version with locking system in order to lock the nozzle; version with a reed magnet to interface with the dispenser; version with the locking system and the reed magnet.

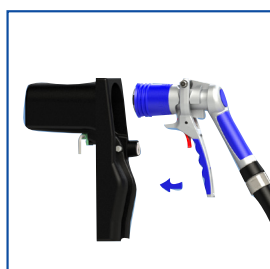
All of our products are ATEX certified.



Code	Article	Material
NBL 0101	NBL Series Nozzle Boot Body	ABS
NBL 0102	NBL Series Hooking Plate	Steel
NBL 0103	NBL Series Hooking Screw	Steel
NBL 0104	NBL Series Lock Hole Cover	ABS
NBL 0105	NBL Series Lock	Brass
NBL 0106	NBL Series Lock Pin	Brass
NBL 0107	NBL Series Reed	
NBL 0108	NBL Series Washer	Steel
NBL 0109	NBL Series Screw	Steel
NBL 0110	NBL Series Nut	Steel
NBL 0111	NBL Series Support	Steel
NBL 0112	NBL Series Conduit	ABS
NBL 0113	NBL Series Cap	ABS
NBL 0114	NBL Series Reed Kit	
NBL 0115	NBL Series Lock Kit	
NBL 0116	NBL Series Hooking Plate Kit	
NBL 0118	NBL Series Spacer	



INSTRUCTION FOR THE INSERTION OF THE NOZZLE



Insert the nozzle
with the lever open